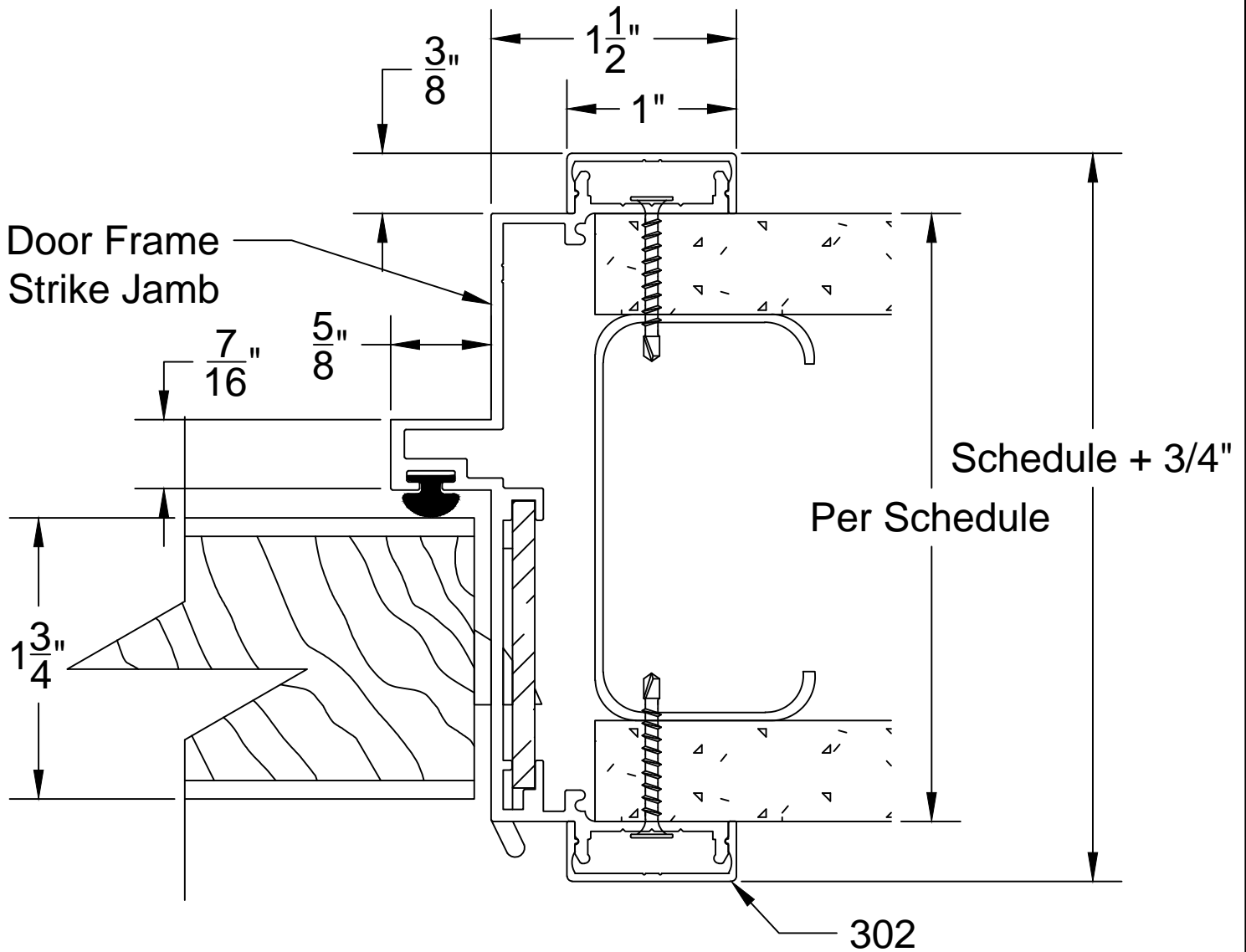


DETAIL 3



300 SERIES DOOR FRAME STRIKE JAMB W/ 302 ($\frac{3}{8}$ " X 1") REVEAL TRIM

| | | | | | | |
|-----|----------|----|------|---|-------|--------------------|
| A | | | | WESTERN INTEGRATED MATERIALS, INC. 3310 E. 59th Street Long Beach, CA 90805 (562) 634-2823 FX: (562) 634-8449 www.aluminumdoorframes.com | SCALE | FILE NO. 300-3-302 |
| B | | | | | N/A | DETAIL NO. |
| LET | REVISION | BY | DATE | | | 3 |