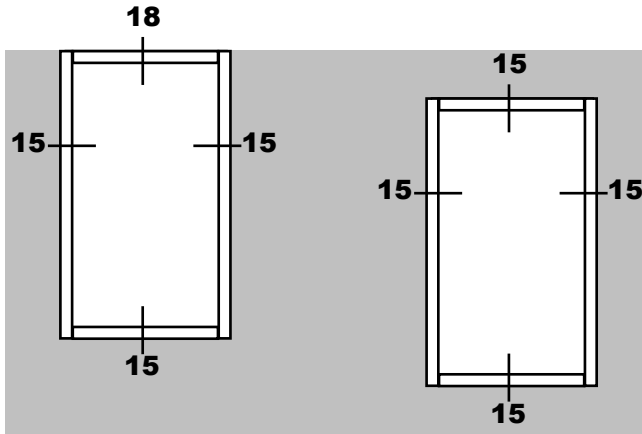


## 4 Sided Cased Opening Installation Instructions

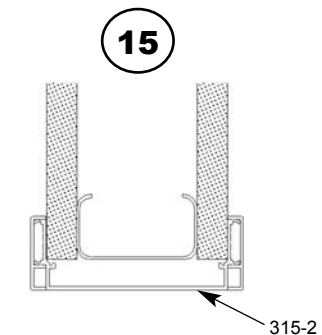
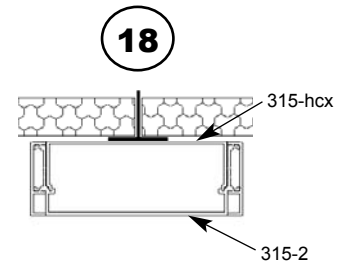


Cased Opening  
to Ceiling Grid

Cased Opening  
to Drywall

### **Special Note:**

If installing to ceiling grid (detail 18) ensure that the ceiling grid is level and that the head channel is level and square before installing casing material.



### **Special Note:**

**DO NOT SECURE FRAME UNTIL ALL PARTS ARE SET IN PLACE.**

### **Cutting:**

Measure rough opening and cut parts to size. Rough opening is 3/4" wider per side. Horizontals are cut to daylight opening dimensions.

1. Start jamb over wall at head and swing bottom into place. (Fig. 1)
2. Repeat with second jamb.
3. Set sill over wall.
4. Push head up over wall.
5. Level sill & secure in place.
6. Push one jamb up to sill and use a square for a 90° corner. Horizontal edge of jamb must line up with horizontal edge of clip. (Fig. 2) Clip must set flat in groove. (Fig. 3)
7. Repeat for second jamb.
8. Repeat for top of jambs to head, check for 90° at corners and secure in place. (Fig. 3)
9. Snap on trim.

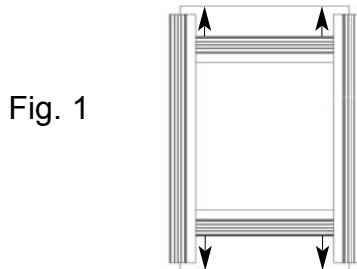


Fig. 1

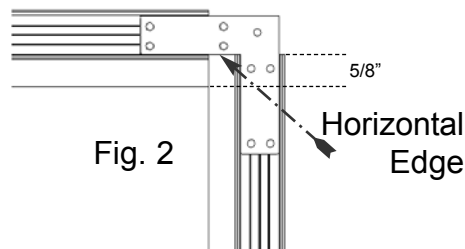


Fig. 2

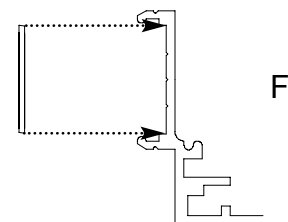


Fig. 3

S-76 Clip Alignment Groove